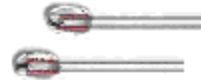


GT Series--Glass Sealed NTC Thermistor

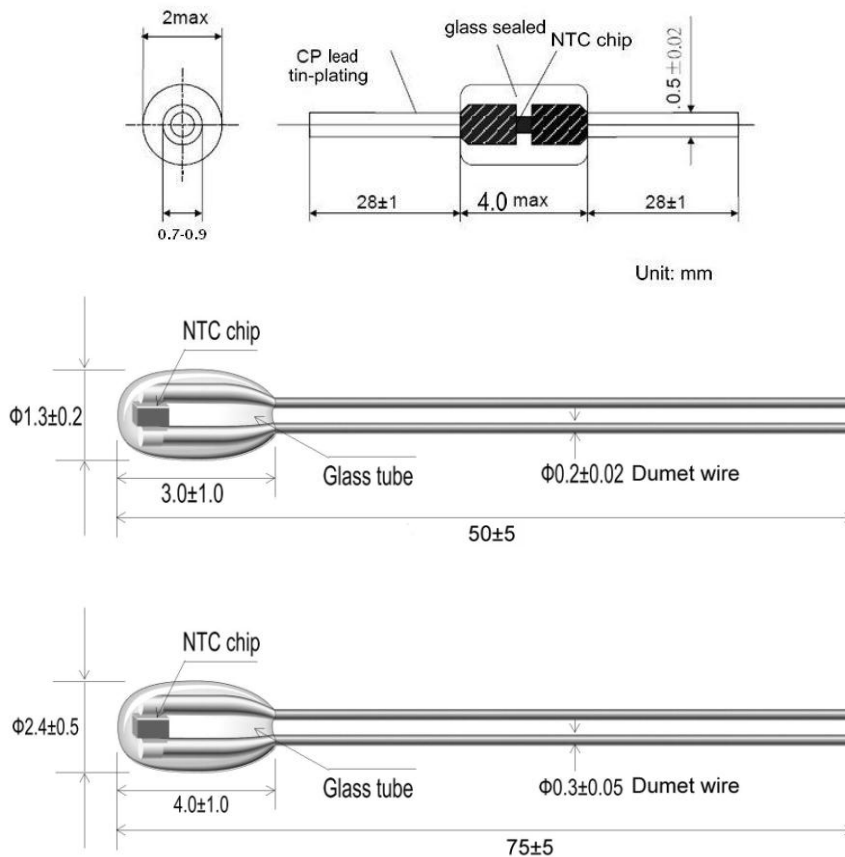


-A (AXIAL)



-R (RADIAL)

Drawing:



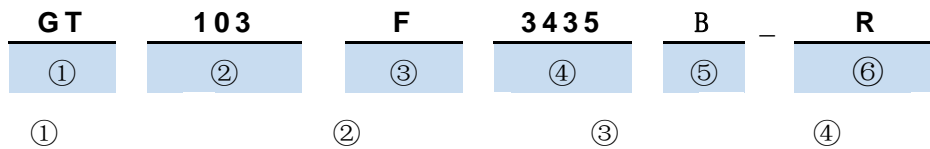
FEATURES

- High reliability, stability, high sensitivity
- Wide range of resistance: $0.5 \sim 1000\text{K}\Omega$
- Usable in high-temperature and high-moisture environments due to the glass wrapping
- Small, light, firm structure, convenient automatic installation on PCB
- Rapid response time
- Operating temp. $-40^{\circ}\text{C} \sim +250^{\circ}\text{C}$

APPLICATION

- Temperature compensation and detection for office automation facilities (e.g. Copiers, printers etc.)
- Industrial, medical, environmental protection, weather and food processing equipment
- Household appliances (air conditioners, microwave ovens, electric fans, electric heaters)
- Liquid level display and flow water measurement
- Apparatus coils, integrated circuits, quartz crystal oscillators and thermocouples
- Electronics Thermometer
- Medical instrument

Part Number Identification



Product Series Code		Resistance @25°C		Tolerance		B Constance	Test Temp. of B		Shape
GT	Glass Type NTC Thermistor	202	20×10 ² Ω	A	±1%	3435: B=3435	A	25°C/50°C	A : AXIAL
		103	10×10 ³ Ω	B	±2%				
		473	47×10 ³ Ω	D	±3%		4100: B=4100	B	25°C/85°C
		F	±5%						
				G	±10%				

AXIAL Type Electronic Parameter Specification

Parameter	Characteristics	Condition
R ₂₅	500 Ω ~ 1M Ω	25 °C± 0.05 °C
Tolerance of R ₂₅ (%)	±1%、±2%、±3%、±5%、±10%	25 °C± 0.05 °C
B constance	2500 ~ 5000K	25 °C± 0.05 °C 50 °C± 0.05 °C
Tolerance of B constance	±0.5%、±1%、±2%	50°C± 0.05 °C 25 °C± 0.05 °C
Dissipation factor(δ)	≥ 1.5 mW/ °C	In still air
Thermal time constance (τ)	≤ 17S	In still air
Operating temperature	- 55°C ~ + 250°C	
Power rating	50 mW	@maximum operating temperature

Dimension



Part No. 型號	D max	L 1 max	L 2 min	d ±0.05
R1	2.5	4	60	0.3
R2	1.5	3	60	0.2
R3	0.9	2	60	0.15

-R RADIAL Type Electronic Parameter Specification

Part No.	Rated Resistance R ₂₅		B Value (25/80°C)		Operating Temp. °C
	KΩ	Tolerance	K	Tolerance	
GT□□3450-R	2~10	±1% ±2% ±3% ±5%	3450	±0.5% ±1% ±2%	- 40 ~ +250
GT□□3750-R	8~10		3750		
GT□□3950-R	10~50		3950		
GT□□4150-R	50~100		4150		
GT□□4200-R	100~350		4200		
GT□□4350-R	870~980		4350		
GT□□4450-R	1000~1500		4450		

Parameter	Characteristics			Condition
	R1	R2	R3	
Dissipation factor(δ)	1.2~1.3	0.7~0.8	0.4~0.5	In still air
Thermal time constance (τ)	10~11	4~5	2.3	In still air
Power rating	≤50	≤35	≤15	@maximum operating temperature